

RETAIL WEIGHING SOLUTION™



# SW-1W SERIES

## Washdown Portion Control Scale

The SW-1W Series is an easy to use portion control scale, great for use in restaurants, meat & poultry plants, bakeries, farmer's markets, and more. Achieve precise measurements with the SW-1W's dual range technology. Its simple interface allows you to switch units easily to lbs, oz, kg, or g.

- Easy to Clean - Washdown - Up to IP66 Standards
- Portable
- Legal for Trade



# CAS

# SW-1W SERIES | Washdown Portion Control Scale

CAS MODEL SW TOTAL WEIGHING SOLUTION™

## FEATURES

- Washdown to IP66 Standards
- AC or Battery Operated
- Large Easy to Read 1 Inch LCD Display
- Lb/g/kg/oz Switchable
- Precise Measurements with Dual Range Technology
- **Soft Touch Tactile Keyboard**
- Stainless Steel Platter
- **Auto Power Off**
- Warranty - 1 Year

## WASHDOWN



The **SW-1W** is protected from water, dirt and other external agents, up to IP 66 Standards.

Use in any environment where washdown cleaning is necessary, from kitchens, bakeries, cafeterias, delis, and more.



## OPTIONS

- Rear Display
- Large Platter



Large Platter



Rear Display



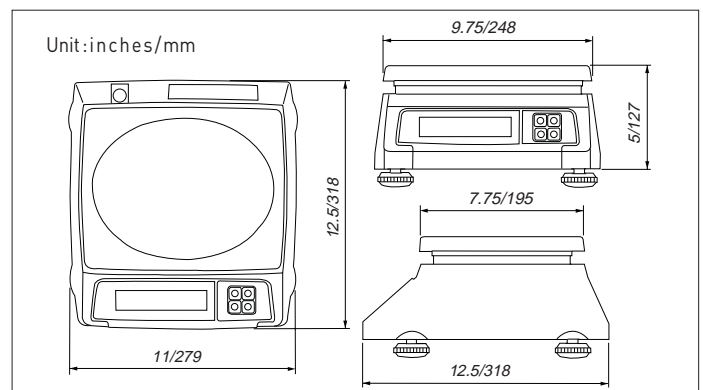
Battery Compartment

## SPECIFICATIONS

Model		SW-10W	SW-20W	SW-50W
Weighing Capacity	lb	4/10 lb	10/20 lb	25/50 lb
		0.002/0.005	0.005/0.01	0.01/0.02
	oz	80/160 oz	200/400 oz	320/800 oz
		0.05/0.1	0.1/0.2	0.2/0.5
	kg	2.5/5 kg	5/10 kg	10/20 kg
		0.001/0.002	0.002/0.005	0.005/0.01
g	2500/5000 g	5,000/10,000 g	10,000/20,000 g	
	1/2	2/5	5/10	
Display Digit	5 Digit LCD (1 Inch)			
Display Designators	Stable, Zero, Net, Batt			
Keys	Zero, Tare, Unit, Power			
Measurement Type	Load Cell			
Power Source	DC 9V (6 - "D" Size Batteries) / 9V AC Adapter Included AC Adapter Not Washdown			
Power Consumption	0.25 W			
Operating Time	Alkaline Dry Battery: 1000 hr			
Operating Temp	-10°C ~ 40°C / 14°F ~ 104°F			
Platter Size (in/mm)	SW-1W	9.75 (W) x 7.75 (D) / 248 (W) x 197 (D)		
	Lg Platter	14 (W) x 12 (D) x 2 (H) / 356 (W) x 305 (D) x 51 (H)		
Dimensions (inch/mm)	11 (W) x 12.5 (D) x 5 (H) / 279 (W) x 318 (D) x 127 (H)			
Product Weight	7.3 lbs / 3.3 kg			
Approvals	NTEP COC# 09-075			



## DIMENSIONS



99 Murray Hill Parkway  
East Rutherford, NJ 07073

TEL: (201) 933-9002

FAX: (201) 933-9025

<http://www.cas-usa.com>

Specifications are subject to change for improvement without prior notice.